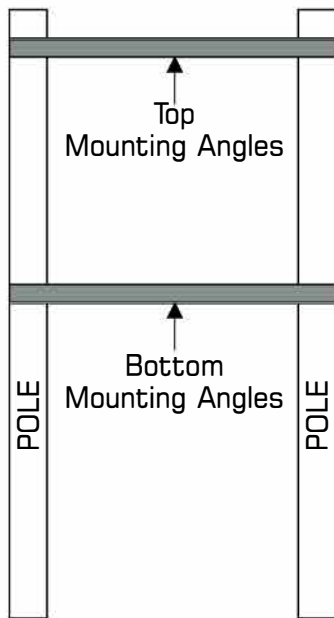
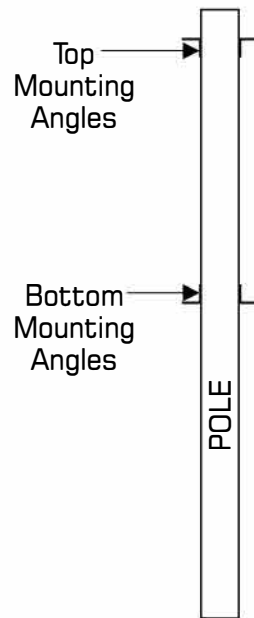


Typical Face of Poles Mount, using Mounting Angles

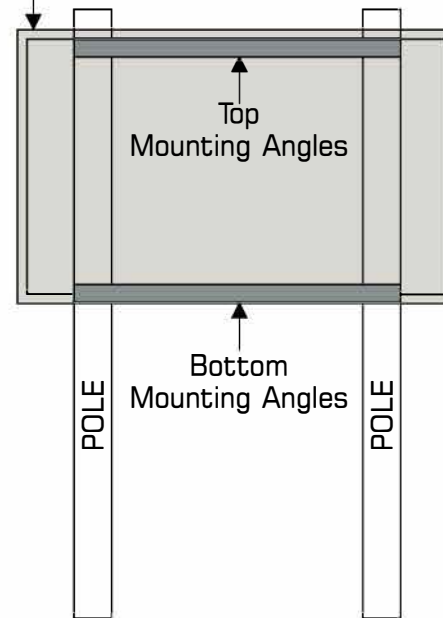


FRONT VIEW

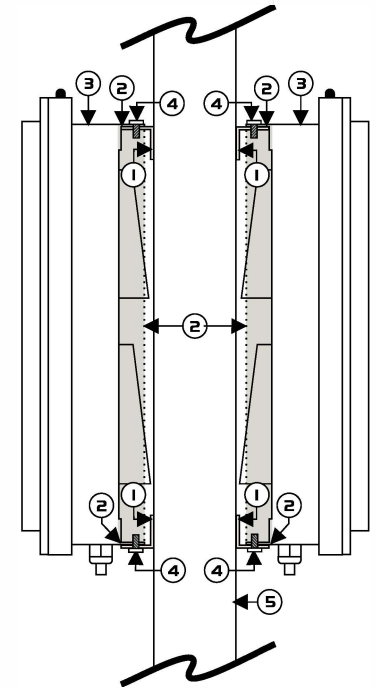


SIDE VIEW

LED CABINET



FRONT VIEW



Mounting Angles Detail
SIDE VIEW
Not to Scale

1. MOUNTING ANGLES, WELDED TO POLES, SUPPLIED BY INSTALLER
2. BUILT INTO EXTRUSION MOUNTING ANGLE
3. ALUMINUM LED CABINET
4. FASTENER, SUPPLIED BY INSTALLER
5. POLE